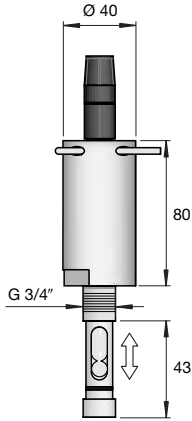


Data Sheet

Sliding Retractable Probe Holder Type WA-PH 1

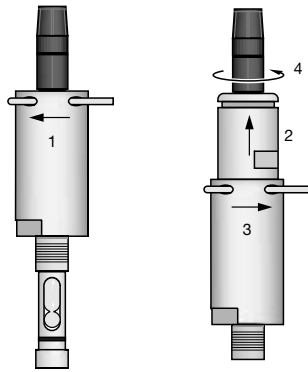


Description

The sliding retractable probe holder WA-PH 1 (order no. 1020631) serves to hold one pH- or ORP-electrode with male thread PG 13.5 and length between 110-125 mm for installation in tanks or pipe work. The electrode can be removed for calibration and cleaning without draining the tank or interrupting the process flow (in case of flow through assembly).

Instructions for changing electrode

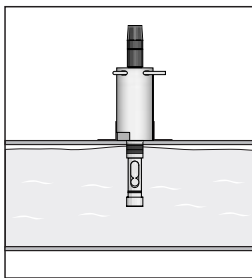
- Pull safety clamp (1)
- Pull sliding part with electrode to the top (2)
- Insert safety clamp (3)
- Screw off the electrode (4)



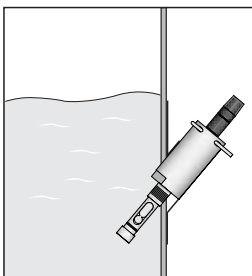
Technical Data

Material:	PP
max. temperature:	70 °C
max. pressure:	5 bar (up to 50 °C)
Female thread:	3/4 "
Sealing ring:	Viton®

Viton® is a registered trademark of DuPont Dow Elastomers.



**Mounting recommendation
flow Through**



**Mounting recommendation
sidewise in tank**

Subject to technical alterations.