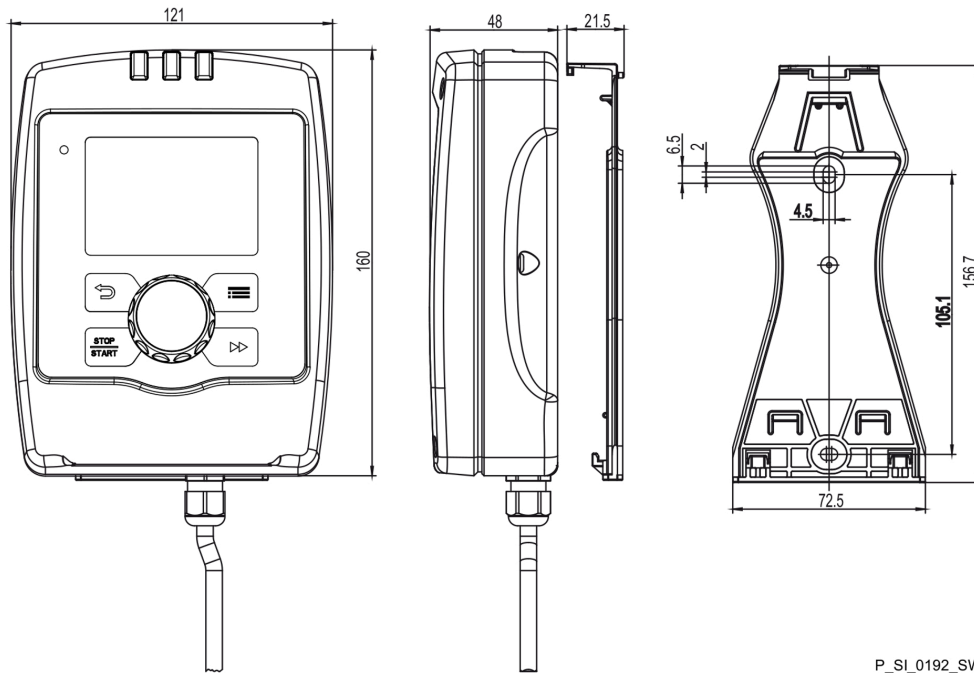


# Motor-Driven Metering Pump Sigma X Control Type – Sigma/ 3 - S3Cb

The new Sigma X range – reliable, smart and connectible



Exemplary representation. The dimensions depend on the configuration chosen.


The Sigma control type is a smart motor-driven metering pump that is setting new standards in terms of productivity, reliability and safety.

## Technical Details

- Stroke length: 6 mm
- Stroke length adjustment range: 0 – 100%
- Stroke length adjustment: manually using self-locking rotary dial in 1 % increments
- With the right, constant conditions, correct installation and calibration, precision exceeds  $\pm 1$  %, based on maximum stroke volume.
- Power supply: 1-phase, 100 – 230 V  $\pm 10\%$ , 240 V  $\pm 6\%$ , 50/60 Hz (420 W)
- Degree of protection IP 65
- Fibreglass-reinforced plastic housing
- Manual or external contact mode can be set, factor with external contact control 99:1 – 1:99; batch mode with max. 99,999 strokes/start pulse.
- Metering profiles for optimum metering results.
- Display of wear parts in the Service menu.
- Connector for 2-stage level switch.
- Connection to PROFINET using the ProMinent DULCONvert PROFIBUS®-PROFINET converter
- Various relay modules can be selected.
- Variants with EU 1935/2004, FDA or hygienic design can be selected for food and other applications.
- Wetted materials: PVDF, stainless steel 1.4571/1.4404, special materials on request.
- Dosing heads with electro-polished stainless steel for aqueous media are available on request for applications with strict hygiene requirements.
- We are happy to supply alternative material versions to comply with export conditions for pump capacities of  $>600$  l/h and PVDF.
- Customised designs are available on request.

For reasons of safety, provide suitable overflow devices during installation for all mechanically deflected diaphragm metering pumps.



 ProMinent Webshop

# Motor-Driven Metering Pump Sigma X Control Type – Sigma/ 3 - S3Cb

The new Sigma X range – reliable, smart and connectible

## Technical Data

Type	Capacity at max. back pressure			Max. stroke rate	Pump capacity at max. back pressure		Suction lift	Perm. pre-pressure suction side	Connector Suction/ Discharge Side	Shipping weight
	l/h	bar	ml/stroke		gph (US)	psi				
S3Cb										
120145 PVT	182	10	33.7	90	48.0	145	5	2	1 1/2–25	22
120145 SST	182	12	33.7	90	48.0	174	5	2	1 1/2–25	26
120190 PVT	243	10	33.7	120	64.1	145	5	2	1 1/2–25	22
120190 SST	243	12	33.7	120	64.1	174	5	2	1 1/2–25	26
120270 PVT	365	10	33.8	180	96.4	145	5	2	1 1/2–25	22
120270 SST	365	12	33.8	180	96.4	174	5	2	1 1/2–25	26
070410 PVT	500	7	95.1	90	132.0	102	4	1	2–32 *	24
070410 SST	500	7	95.1	90	132.0	102	4	1	2–32 *	29
070580 PVT	670	7	95.1	120	176.9	102	4	1	2–32 *	24
070580 SST	670	7	95.1	120	176.9	102	4	1	2–32 *	29
040830 PVT	1,040	4	95.1	180	274.7	58	3	1	2–32 *	24
040830 SST	1,040	4	95.1	180	274.7	58	3	1	2–32 *	29

\* DN32 plate valves with valve spring

## Materials in Contact with the Medium

Identity code of material	Seals	DN 25 ball valves			DN 32 plate valves			Integral relief valve
		Suction / discharge connection on dosing head DN 25	Valve balls	Valve seats	Suction / discharge connection on dosing head DN 32	Valve plates/ valve springs	Valve seats	
PVT	PTFE	PVDF	Glass	PTFE *	PVDF	Ceramic/ Hastelloy C + CTFE **	PTFE	PVDF/FKM or EPDM
SST	PTFE	Stainless steel 1.4581	Stainless steel 1.4404	PTFE *	Stainless steel 1.4581	Stainless steel 1.4404/Hastelloy C	PTFE	Stainless steel/FKM or EPDM
TTT ***	PTFE	PTFE + 25% carbon	Stainless steel 1.4404	PTFE *	PVDF	Ceramic/ Hastelloy C + CTFE **	PTFE	-
PVF	PTFE	PVDF	Glass	PVDF	-	-	-	-
SSF	PTFE	Stainless steel 1.4581/1.4404	Stainless steel 1.4404	PVDF	-	-	-	-
SSG	PTFE	Stainless steel 1.4581/1.4404	Stainless steel 1.4404	Stainless steel 1.4404	-	-	-	-
SSH ****	EPDM or FKM	Stainless steel 1.4435	Stainless steel 1.4404	Stainless steel 1.4404	Stainless steel 1.4581	Ceramic/E-CTFE	Stainless steel 1.4404	-

\* With design 'F', the ball seat is made of PVDF, only for DN 25 ball valves

\*\* The valve spring is coated with CTFE (resistance similar to PTFE)

\*\*\* Specifically for areas at risk from explosion

\*\*\*\* DN 25 and DN 32 designed as ball non-return valve

## Motor Data

Identity code specification	Power supply	Remarks
U	1-phase, IP 65 100 – 230 V ±10 % / 240 V ±6 % 50/60 Hz 420 W	Wide-range voltage power unit

Motors less than 0.75 kW and motors designed for speed-controllable operation are not subject to the IE3 standard in compliance with the Ecodesign Directive 2009/125/EC.