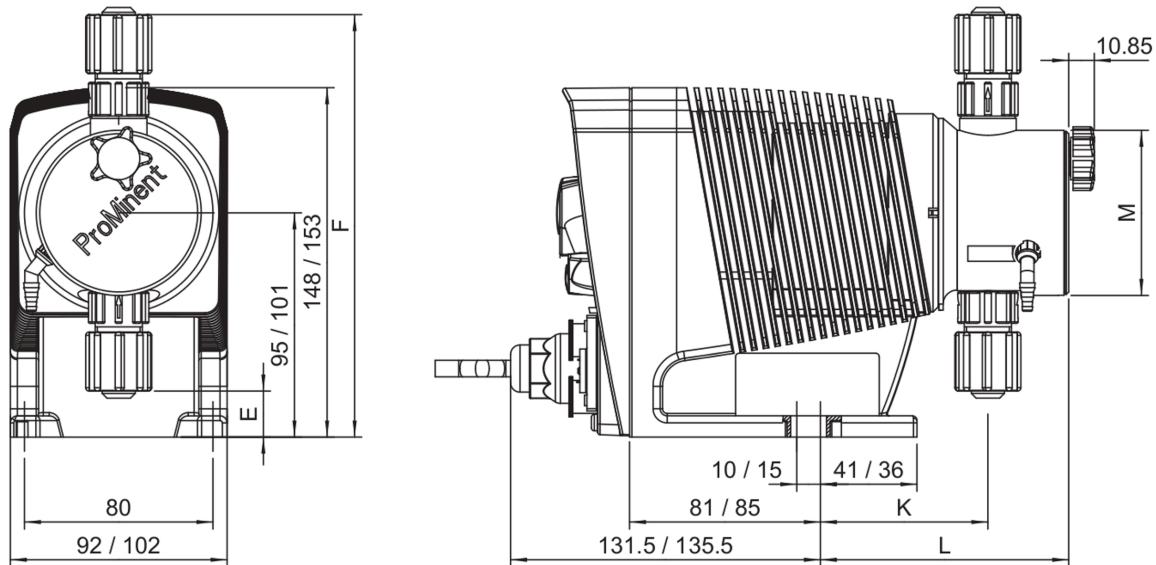


Solenoid-Driven Metering Pump beta

Equipped with all the features and properties for superior process management.



Exemplary representation. The dimensions depend on the configuration chosen.

All-purpose solenoid-driven metering pump for metering liquid media in water treatment and chemical processes: Solenoid-driven metering pump beta. Cost-effective, overload-proof and adaptable to existing signal transducers.

Technical Details

- External control via potential-free contacts with pulse step-up and step-down to adapt to existing signal transducers of 64:1 to 1:64
- Optional external control via 0/4 – 20 mA and potential-free contacts with pulse step-up and step-down of 32:1 to 1:32
- Stroke rate adjustment in 10% increments of 10 – 100% corresponds to 18 – 180 strokes/minute
- Continuous stroke length adjustment of 0 – 100% (recommended 30 – 100%)
- Connector for 2-stage level switch
- Wide-range electrical connection: 100 – 230 V, 50/60 Hz
- Optional relay module, can also be retrofitted easily and securely
- Low voltage design 12 – 24 V DC



Solenoid-Driven Metering Pump beta

Equipped with all the features and properties for superior process management.

Technical Data

Pump type	Pump capacity at max. back pressure			Delivery rate at medium back pressure			Stroke rate Strokes/min	Connector size o Ø x i Ø mm	Suction lift* m WC	Average power consumption W	Shipping weight	
	bar	l/h	ml/stroke	bar	l/h	ml/stroke					PP, NP, PV, TT kg	SS kg
Metering pumps with non-self-bleeding dosing head												
BT4b 1000 **	10	0.74	0.07	5.0	0.82	0.08	180	6 x 4	6.0	7.2	2.9	3.6
BT4b 1601 **	16	1.1	0.10	8.0	1.4	0.13	180	6 x 4	6.0	9.6	2.9	3.6
BT4b 1602 **	16	2.2	0.20	8.0	2.5	0.24	180	6 x 4	6.0	11.2	2.9	3.6
BT4b 0708 **	7	7.1	0.66	3.5	8.4	0.78	180	8 x 5	4.0	15.2	3.1	3.9
BT4b 0220	2	19.0	1.76	1.0	20.9	1.94	180	12 x 9	2.0	15.2	3.3	4.4
BT4b 0413	4	12.3	1.14	2.0	14.2	1.31	180	8 x 5	3.0	15.2	3.1	3.9
BT4b 1604 **	16	3.6	0.33	8.0	4.3	0.40	180	6 x 4	5.0	15.2	3.1	3.9
BT5b 0232	2	32	2.96	1.0	36.2	3.35	180	12 x 9	2.0	19.2	5.1	6.6
BT5b 0420	4	17.1	1.58	2.0	19.1	1.77	180	12 x 9	3.0	19.2	4.7	5.8
BT5b 0713	7	11	1.02	3.5	13.1	1.21	180	8 x 5	3.0	19.2	4.5	5.3
BT5b 1008	10	6.8	0.63	5.0	8.3	0.76	180	8 x 5	3.0	19.2	4.5	5.3
BT5b 2504	25 ***	2.9	0.27	10.0	5.0	0.46	180	8 x 4 ****	4.0	19.2	4.5	5.3
Metering pumps with self-degassing dosing head (dosing head design 7)												
BT4b 1602 **	10	1.4	0.13	8.0	1.7	0.16	180	6 x 4	1.8	11.2	2.9	-
BT4b 1604 **	10	2.7	0.25	8.0	3.6	0.33	180	6 x 4	1.8	15.2	3.1	-
BT4b 0220	2	16.2	1.50	1.0	18.0	1.67	180	12 x 9	2.0	15.2	3.3	-
BT4b 0413	4	10.8	1.00	2.0	12.6	1.17	180	8 x 5	1.8	15.2	3.1	-
BT4b 0708 **	7	6.6	0.61	3.5	7.5	0.69	180	8 x 5	1.8	15.2	3.1	-
BT5b 0713	7	10.5	0.97	3.5	12.3	1.14	180	8 x 5	1.8	19.2	4.5	-
BT5b 0420	4	15.6	1.44	2.0	17.4	1.61	180	12 x 9	1.8	19.2	4.7	-
BT5b 1008	10	6.3	0.58	5.0	7.5	0.69	180	8 x 5	1.8	19.2	4.5	-

* Suction lift with a filled dosing head and filled suction line, with a self-bleeding dosing head with air in the suction line.

** Pressure-reduced pump types are available in the pressure stages 4, 7 and 10 bar for special applications, for example in the swimming pool sector. More detailed information is available upon request.

*** 25 bar variant only available with a NP or SS dosing head material.

**** With stainless steel design, 6 mm connector width.

beta b metering pumps with dosing heads for higher-viscosity media have a 10 – 20 % lower capacity and are not self-priming with all feed chemicals. G 3/4-DN 10 connector with d 16-DN 10 hose nozzle.

All data calculated with water at 20 °C.

Solenoid-Driven Metering Pump beta

Equipped with all the features and properties for superior process management.

Materials in Contact with the Medium

Identity code of material	Dosing head	Connection on suction/discharge side	Ball seat	Seals	Balls
PVT	PVDF	PVDF	PVDF	PTFE	Ceramic
PPT	Polypropylene	PVDF	PVDF	PTFE	Ceramic
PPE	Polypropylene	Polypropylene	EPDM	EPDM	Ceramic
PPB	Polypropylene	Polypropylene	FKM A	FKM A	Ceramic
NPT	Clear acrylic	PVDF	PVDF	PTFE	Ceramic
NPE	Clear acrylic	PVC	EPDM	EPDM	Ceramic
NPB	Clear acrylic	PVC	FKM A	FKM A	Ceramic
SST	Stainless steel 1.4404	Stainless steel 1.4404	Ceramic	PTFE	Ceramic
TTT	Carbon-filled PTFE	Carbon-filled PTFE	Ceramic	PTFE	Ceramic

Metering reproducibility: $\pm 2\%$ when used according to the operating instructions.

Permissible ambient temperature $-10\text{ }^{\circ}\text{C}$ to $+45\text{ }^{\circ}\text{C}$.

Degree of protection: IP 66, insulation class F

Scope of supply

Metering pump with mains cable, connector kit for hose/tube connector as per table.